

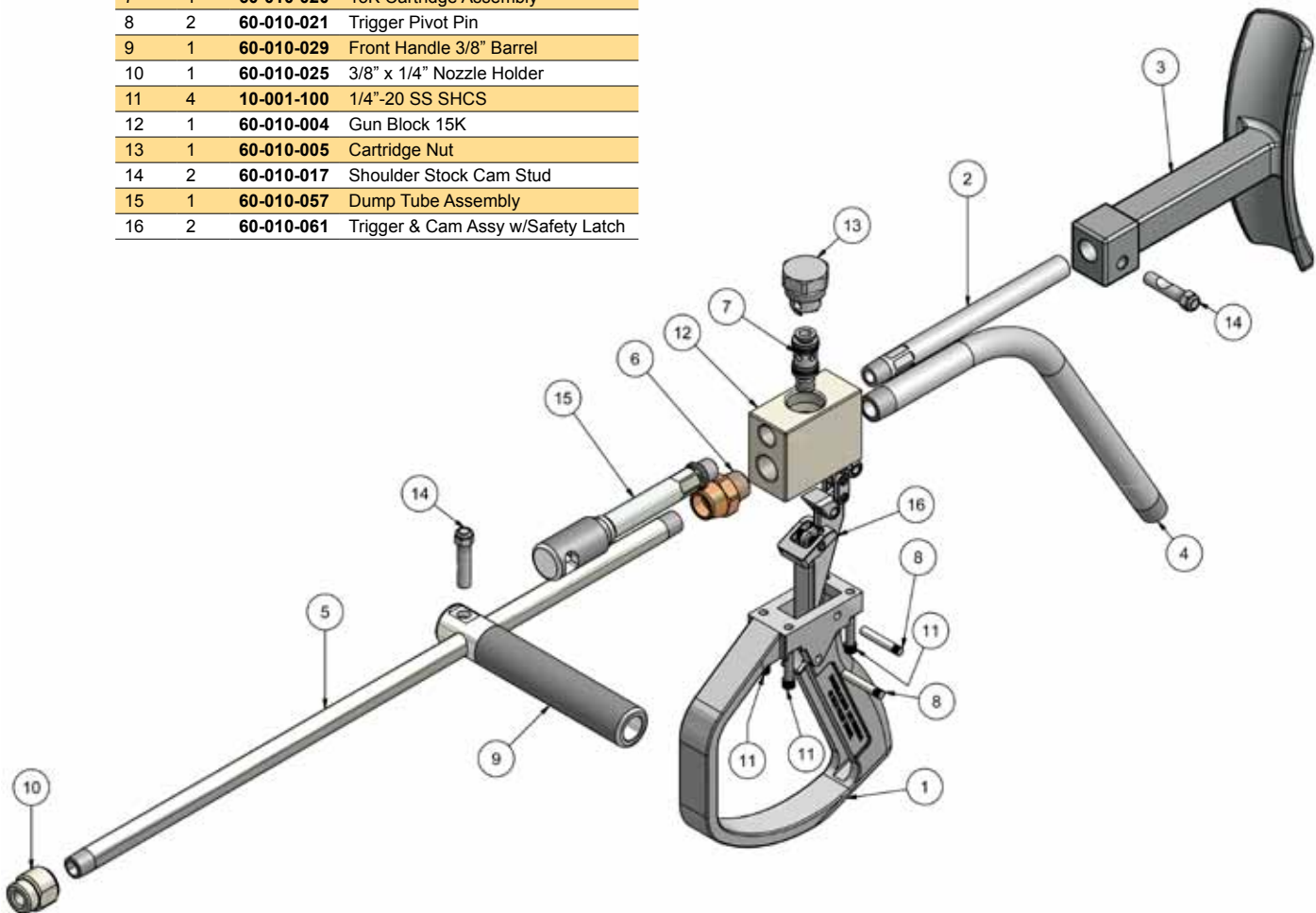
**15K Hand-Held Dump Style Control Guns with 3/8" NPT Barrel** APS offers the 15,000 psi (15K) series of hand operated control guns, using the industry standard cartridge\* style dump valve. These guns have been carefully designed to incorporate all the features that are demanded by experienced operators.

- The cartridge valve\* enables the gun to be rebuilt in the field in 30 seconds or less. This will minimize down time and increase productivity.
- The cartridge valve\* also keeps the trigger force to a minimum, which reduces operator stress.
- These guns are lighter in weight -13 - 15lbs (depending on barrel dia.) resulting in less operator fatigue.
- The adjustable comfort-contoured shoulder stocks and front hand grips contribute to ease of use for operators, tending to diminish fatigue.
- These guns are standard with 48" front barrels, for operator safety.
- All working components are stainless steel for corrosion resistance and durability.



ITEM	QTY	PART #	DESCRIPTION
1	1	60-010-001	Gun Handle
2	1	60-010-009	Shoulder Stock Tube
3	1	60-010-003	Shoulder Stock
4	1	60-010-012	Inlet Tube 15K
5	1	20-012-048	15K Gun Barrel 48" long
6	1	60-010-024	Barrel Bushing 1/2" to 3/8"
7	1	60-010-020	15K Cartridge Assembly
8	2	60-010-021	Trigger Pivot Pin
9	1	60-010-029	Front Handle 3/8" Barrel
10	1	60-010-025	3/8" x 1/4" Nozzle Holder
11	4	10-001-100	1/4"-20 SS SHCS
12	1	60-010-004	Gun Block 15K
13	1	60-010-005	Cartridge Nut
14	2	60-010-017	Shoulder Stock Cam Stud
15	1	60-010-057	Dump Tube Assembly
16	2	60-010-061	Trigger & Cam Assy w/Safety Latch

Part #	Description	Barrel
60-010-052	Complete hand-held dump style control gun	3/8"



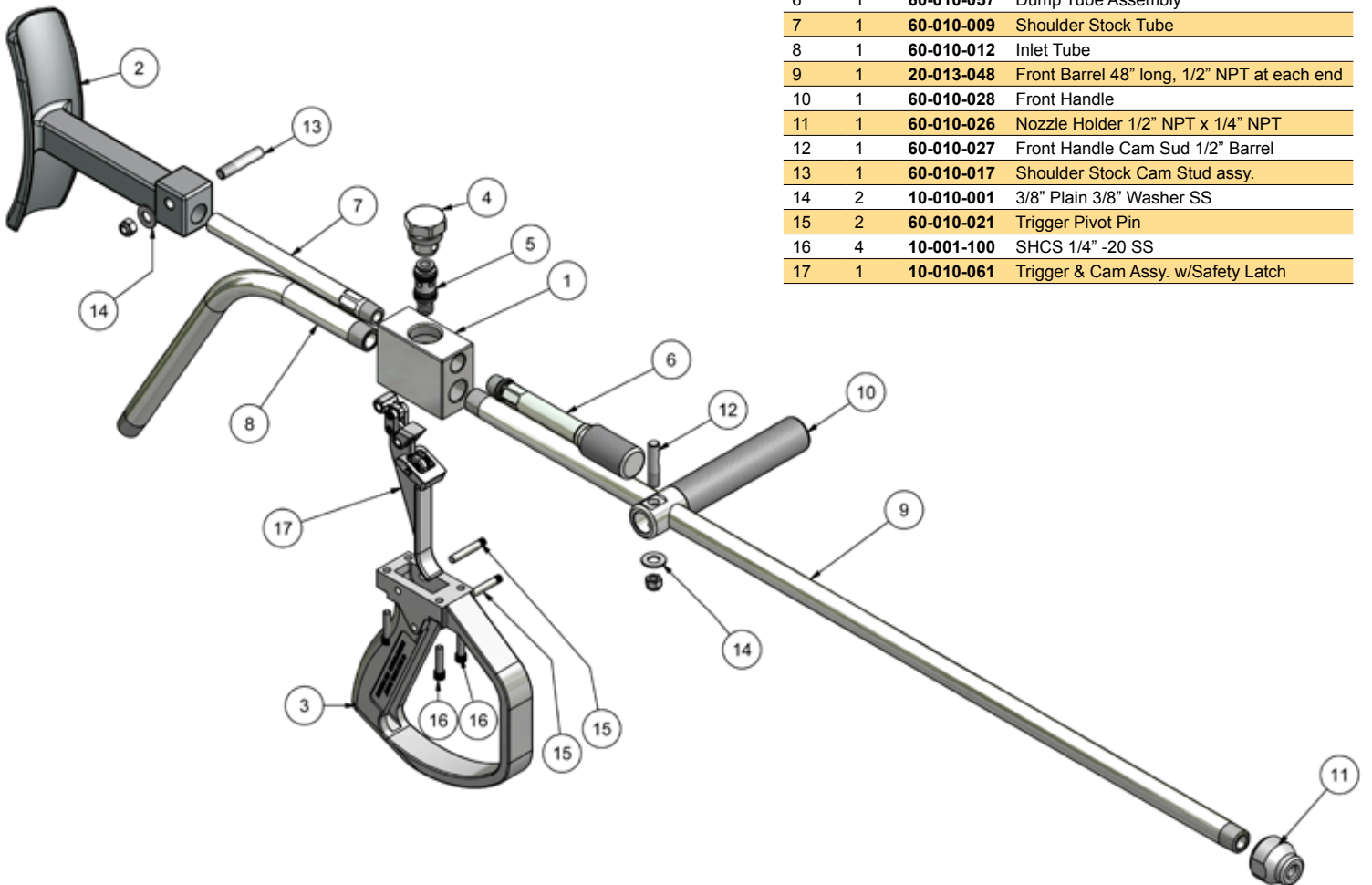
# CONTROL GUNS

**15K Hand-Held Dump Style Control Guns with 1/2" NPT Barrel** APS offers the 15,000 psi (15K) series of hand operated control guns, using the industry standard cartridge\* style dump valve. These guns have been carefully designed to incorporate all the features that are demanded by experienced operators.



Part #	Description	Barrel
60-010-051	Complete hand-held dump Style control gun	1/2"

ITEM	QTY	PART #	DESCRIPTION
1	1	60-010-004	Gun Block 15K
2	1	60-010-003	Shoulder Stock
3	1	60-010-001	Gun Handle
4	1	60-010-005	Cartridge Nut
5	1	60-010-020	15K Cartridge Assy.
6	1	60-010-057	Dump Tube Assembly
7	1	60-010-009	Shoulder Stock Tube
8	1	60-010-012	Inlet Tube
9	1	20-013-048	Front Barrel 48" long, 1/2" NPT at each end
10	1	60-010-028	Front Handle
11	1	60-010-026	Nozzle Holder 1/2" NPT x 1/4" NPT
12	1	60-010-027	Front Handle Cam Stud 1/2" Barrel
13	1	60-010-017	Shoulder Stock Cam Stud assy.
14	2	10-010-001	3/8" Plain 3/8" Washer SS
15	2	60-010-021	Trigger Pivot Pin
16	4	10-001-100	SHCS 1/4" -20 SS
17	1	10-010-061	Trigger & Cam Assy. w/Safety Latch



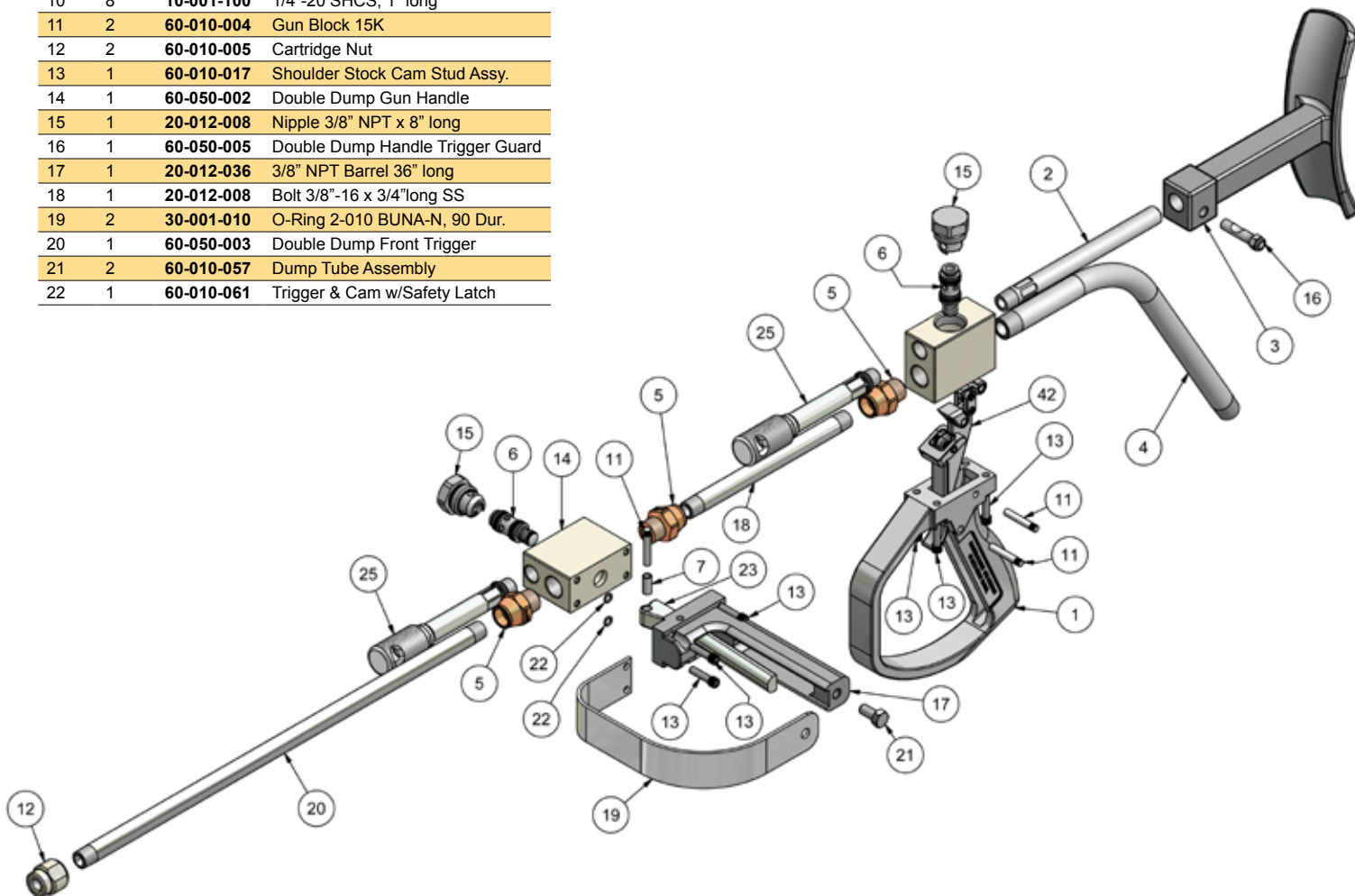
## 15K Hand-Held Double-Dump Control Guns

- There is an increasing demand for the extra safety of control guns which incorporate dual dump ports. The Advanced Pressure Systems 15K Double Dump Control Guns feature this added security together with the ergonomic advantages and operator comfort of a specially designed front handle.
- This handle is at right angles to the axis of the barrel, which conforms to the natural alignment of the hand and arm of the operator. Some other guns simply use two standard handles, which are cumbersome, uncomfortable to use and are heavier.
- The APS Double Dump Guns are available in 3/8" barrel size.



ITEM	QTY	PART #	DESCRIPTION
1	1	60-010-001	Gun Handle
2	1	60-010-009	Shoulder Stock Tube
3	1	60-010-003	Shoulder Stock
4	1	60-010-012	Inlet Tube 15K
5	3	60-010-024	Barrel Bushing 1/2" x 3/8"
6	2	60-010-020	15K Cartridge Assembly
7	1	60-010-022	Pivot Bushing
8	3	60-010-021	Trigger Pivot Pin
9	1	60-010-025	Nozzle Holder 3/8" x 1/4"NPT
10	8	10-001-100	1/4"-20 SHCS, 1" long
11	2	60-010-004	Gun Block 15K
12	2	60-010-005	Cartridge Nut
13	1	60-010-017	Shoulder Stock Cam Stud Assy.
14	1	60-050-002	Double Dump Gun Handle
15	1	20-012-008	Nipple 3/8" NPT x 8" long
16	1	60-050-005	Double Dump Handle Trigger Guard
17	1	20-012-036	3/8" NPT Barrel 36" long
18	1	20-012-008	Bolt 3/8"-16 x 3/4"long SS
19	2	30-001-010	O-Ring 2-010 BUNA-N, 90 Dur.
20	1	60-050-003	Double Dump Front Trigger
21	2	60-010-057	Dump Tube Assembly
22	1	60-010-061	Trigger & Cam w/Safety Latch

Part #	Description	Barrel
60-050-006	Complete hand-held double dump Style control gun	3/8



## 15K Hand-Held Zero-Thrust Control Guns

- These guns are designed primarily for underwater use, where the self cancelling forwards and backward thrusts allow the user to carry out blasting operations without being propelled away from the intended work area.
- They also have application on dry land where a balanced tool is needed, such as in a suspended gondola on the side of a building.
- The quick change rebuild cartridge allows field overhaul in 30 seconds.
- For corrosion resistance, all components are of high grade stainless steel, and the complete assembly weighs just 16.45 lbs (7.47 Kg.)



ITEM	QTY	PART #	DESCRIPTION
1	1	60-010-001	GUN HANDLE
2	1	60-010-020	CARTRIDGE ASSY. 15K
3	1	60-010-005	CARTRIDGE NUT
4	1	60-010-003	TRIGGER SAFETY LATCH PIN
5	2	60-010-021	TRIGGER PIVOT PIN
6	4	10-001-100	1/4"-20 x 1" SS. SHCS
7	1	60-010-034	ADAPTER for DIFFUSER
8	1	20-004-004	WAFER TEE 1/2" NPT 15K
9	1	20-013-008	NIPPLE 8" LNG. 1/2"NPT 15K
10	1	20-013-036	NIPPLE 36" LNG. 1/2" NPT 15K
11	1	60-010-032	DIFFUSER
12	1	60-010-033	JAM NUT - DIFFUSER
13	2	60-010-026	NOZZLE HOLDER 1/2" NPT x 1/4" NPT
14	1	20-011-008	HEX. NIPPLE 1/2" x 1/2" NPT
15	1	20-013-006	NIPPLE 6" LNG 1/2"NPT 15K
16	1	60-010-028	FRONT HANDLE
17	1	60-010-027	FRONT HANDLE CAM STUD (incl. nut)
18	1	60-010-004	GUN BLOCK 15K
19	1	60-010-057	DUMP TUBE ASSEMBLY
20	1	60-010-061	Trigger & Cam w/Safety Latch

Part #	Description	Barrel
60-010-035	Complete zero thrust Style control gun	1/2

