

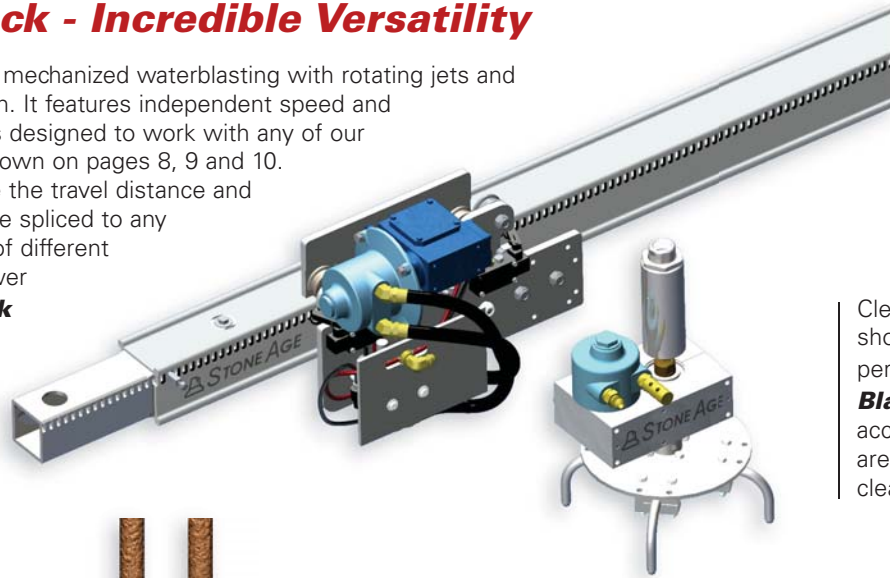
15k-40k Automated Tractors

The Blastrack

Blastracks Adapt Easily

The Blastrack - Incredible Versatility

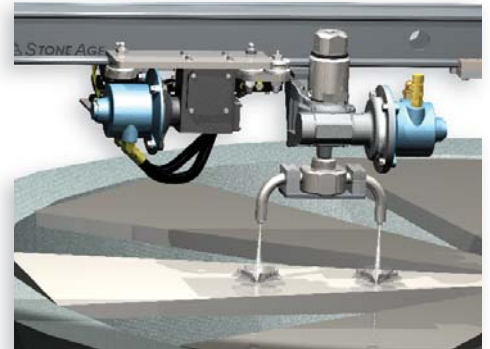
The **Blastrack** offers mechanized waterblasting with rotating jets and controlled linear motion. It features independent speed and rotation controls and is designed to work with any of our rotating assemblies shown on pages 8, 9 and 10. Moveable stops define the travel distance and the box rail track can be spliced to any length. With a variety of different swivels and rotary power options, the **Blastrack** can be adapted to almost any application.



Cleaning fan blades, shown below, is a perfect example of **Blastrack's** ability to access hard to reach areas for routine cleaning.



The **Blastrack** can be outfitted with 2 rotating jet heads in opposing directions for slot cleaning in between two surfaces, as shown at left.



The **Blastrack** can clean grates and surfaces, both horizontal and vertical, with ease. The example above shows 2 SG-40's operating in tandem along one rail to clean this conveyor.

Blastrack Specs

Blastrack	BUD-100
Max. Pressure	15k - 40k psi 1000 - 2800 bar
Max. Flow	110 gpm 420 lpm
Rotation	Up to 1000 rpm
Linear Speed	7-40 ft/min

StoneAge® offers an optional Air-Dryer on request.

Contact us for the best components to suit your application.



ADVANCED PRESSURE SYSTEMS

1-877-290-4277 ▲ FAX: 281-290-9952

www.advancedpressuresystems.com

E-mail orders: sales@advancedpressuresystems.com

