

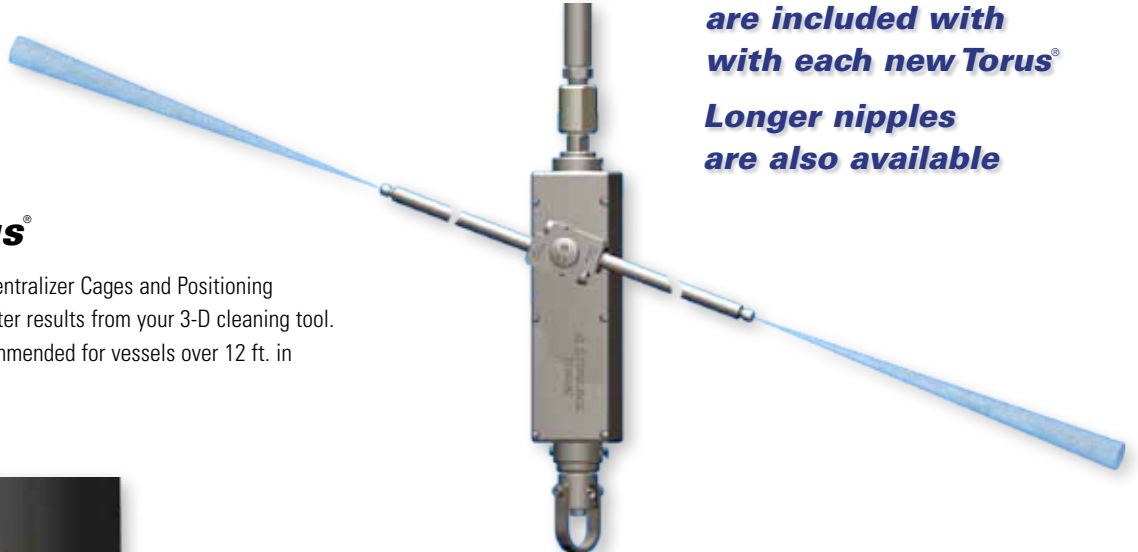
Torus® Tool Accessories

Nipple Extensions & Centralizer Cages

Accessories for your Torus®

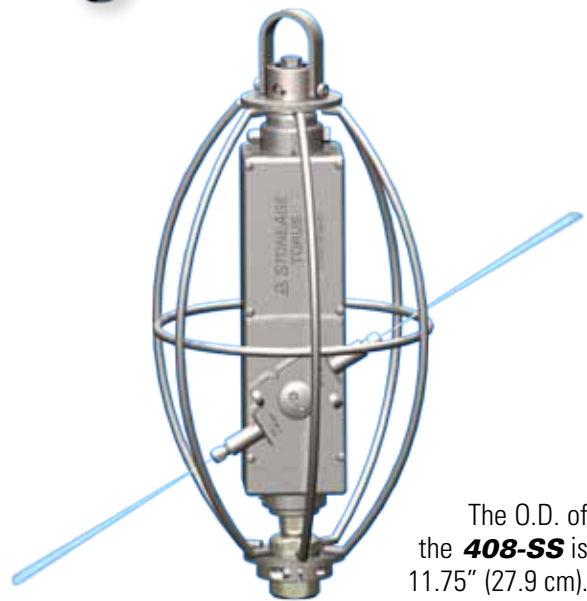
We offer Extension Nipples, Centralizer Cages and Positioning Booms, all designed to get better results from your 3-D cleaning tool. Longer extension nipples recommended for vessels over 12 ft. in diameter.

**2" and 8" nipple arms
are included with
with each new Torus®
Longer nipples
are also available**



TR 408-SS Cage Centralizer

Shown with
Pull Ring
in use.



The O.D. of
the **408-SS** is
11.75" (27.9 cm).

TR 408-SS Cage Centralizer

The **TR 408-SS Cage Centralizer** is used in applications where debris or internal structures may interfere with the cleaning operation. 2" nipples are the maximum length for this centralizer.