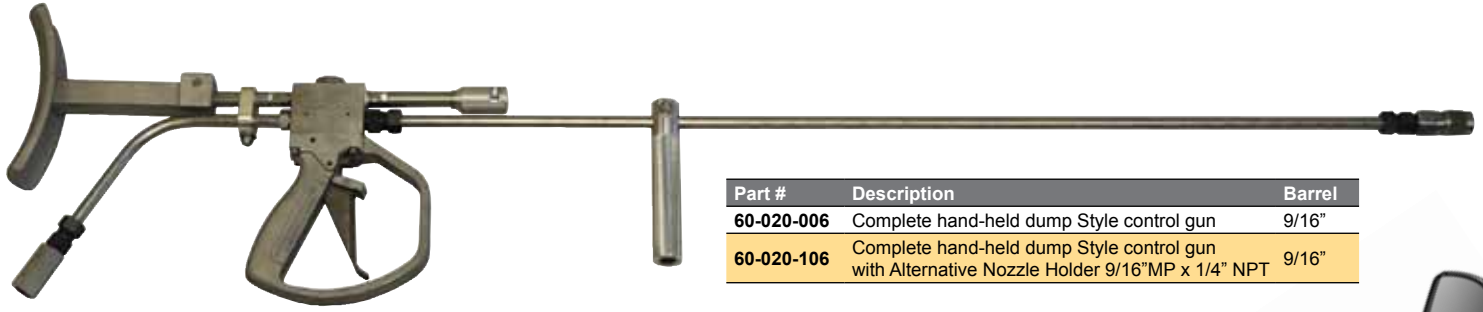
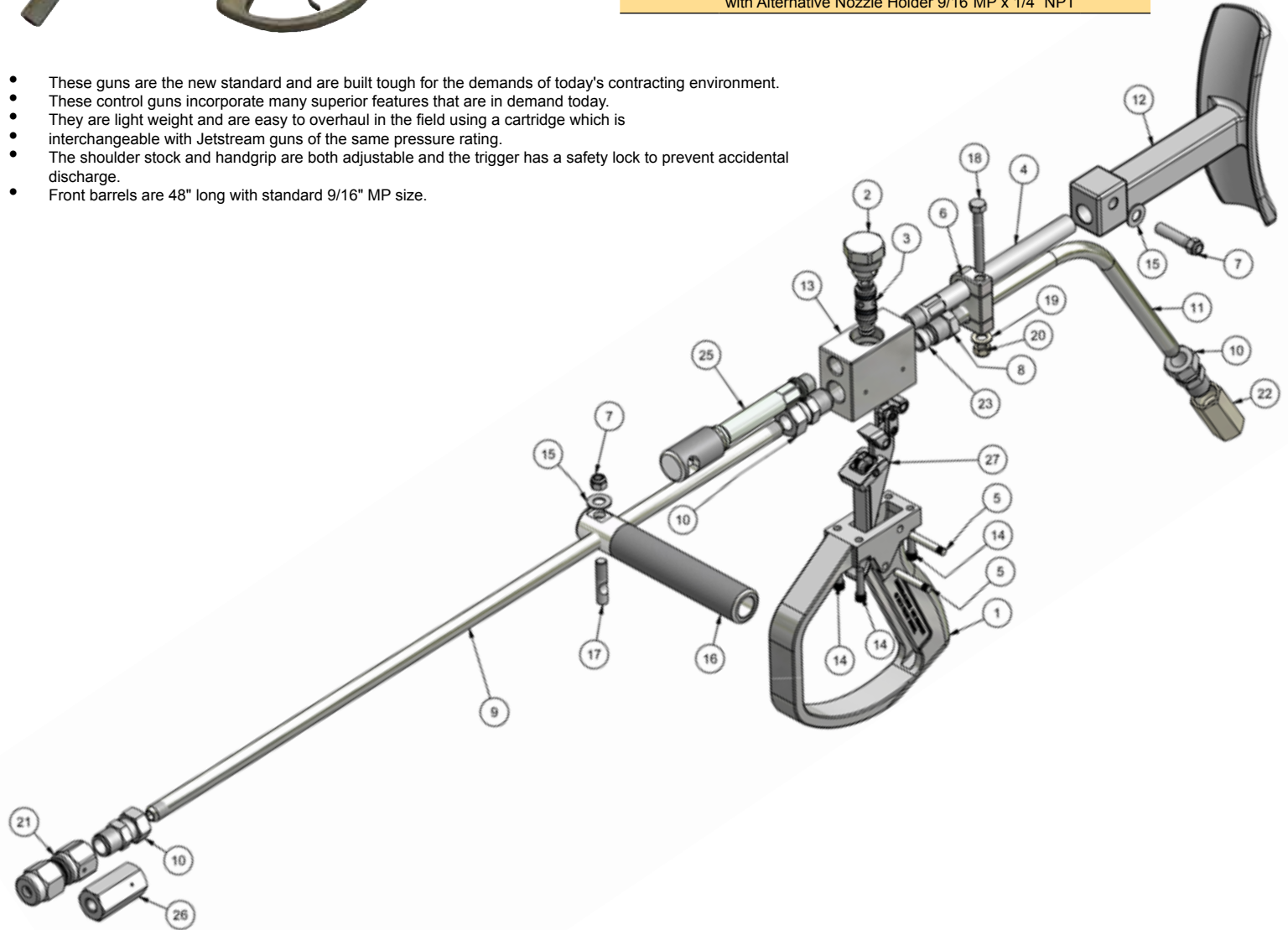


20K Hand-Held Dump Style Control Guns



Part #	Description	Barrel
60-020-006	Complete hand-held dump Style control gun	9/16"
60-020-106	Complete hand-held dump Style control gun with Alternative Nozzle Holder 9/16"MP x 1/4" NPT	9/16"

- These guns are the new standard and are built tough for the demands of today's contracting environment.
- These control guns incorporate many superior features that are in demand today.
- They are light weight and are easy to overhaul in the field using a cartridge which is interchangeable with Jetstream guns of the same pressure rating.
- The shoulder stock and handgrip are both adjustable and the trigger has a safety lock to prevent accidental discharge.
- Front barrels are 48" long with standard 9/16" MP size.



ITEM	QTY	PART NUMBER	DESCRIPTION
1	1	60-010-001	Gun Handle
2	1	60-020-005	Cartridge Nut
3	1	60-020-010	20K Cartridge Assembly
4	1	60-010-009	Shoulder Stock Tube
5	2	60-010-021	Trigger Pivot Pin
6	1	60-020-012	Inlet Tube Clamp
7	2	10-100-002	Nylon Lock Nut
8	1	21-002-003	Gland Nut 5625
9	1	21-022-048	MP Nipple 48" Long
10	3	21-005-003	Anti-Vibe Assy 5625
11	1	60-020-007	Gun Inlet Tube 20K
12	1	60-010-003	Shoulder Stock
13	1	60-020-014	Gun Block 20K
14	4	10-001-100	SHCS 1"

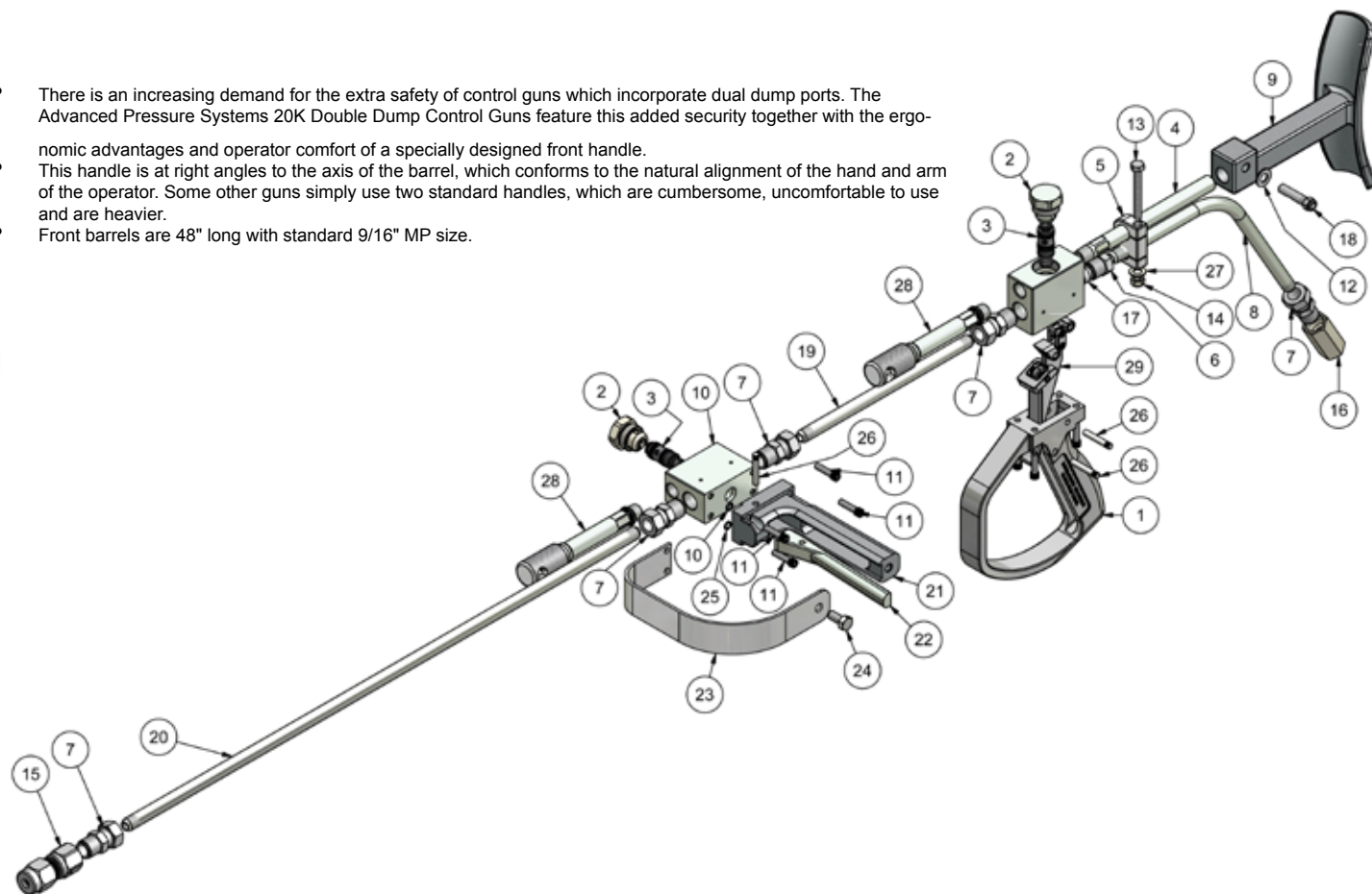
ITEM	QTY	PART NUMBER	DESCRIPTION
15	2	10-010-001	Plain 3/8" SS washer
16	1	60-020-008	Front Handle 9/16" Barrel
17	1	60-020-009	Cam Stud - Front Handle 20K Gun
18	1	10-017-250	Clamp Bolt SS 5/16"-18, x 2-1/2" long
19	1	10-010-002	5/16" Flat Washer
20	1	10-100-003	Nylon Lock Nut 5/16"-18
21	1	17-025-000	Nozzle Holder Assembly
22	1	21-012-103	Coupling 9/16"MP (without Gland Nut & Collar)
23	1	21-003-003	Collar
24	1	60-010-017	Shoulder Stock Cam Stud
25	1	60-010-057	Dump Tube Assembly
26	1	20-028-101	9/16"MP x 1/4" NPT(Alternative Nozzle Holder)
27	1	60-010-061	Trigger & Cam Assy. w/Safety Latch

20K Hand-Held Double-Dump Control Guns



Part #	Description	Barrel
60-055-001	Complete hand-held double dump Style control gun	9/16"

- There is an increasing demand for the extra safety of control guns which incorporate dual dump ports. The Advanced Pressure Systems 20K Double Dump Control Guns feature this added security together with the ergonomic advantages and operator comfort of a specially designed front handle.
- This handle is at right angles to the axis of the barrel, which conforms to the natural alignment of the hand and arm of the operator. Some other guns simply use two standard handles, which are cumbersome, uncomfortable to use and are heavier.
- Front barrels are 48" long with standard 9/16" MP size.



ITEM	QTY	PART #	DESCRIPTION
1	1	60-010-001	Gun Handle
2	2	60-020-005	Cartridge Nut 20K
3	2	60-020-010	Cartridge Assembly 20K
4	1	60-010-009	Shoulder Stock Tube
5	1	60-020-012	Inlet Tube Clamp
6	1	21-002-003	Collar 9/16" MP
7	5	21-005-003	MP Anti-Vibe Assy.
8	1	60-020-007	Gun Inlet Tube 20K
9	1	60-010-003	Shoulder Stock
10	2	60-020-014	BLOCK, 20K CONTROL GUN (NEW)
11	8	10-001-100	SHCS 1/4"-20 1" Long
12	1	10-010-001	3/8" Plain Washer
13	1	10-017-250	Hex Head 5/16"-18 x 2-1/2" long
14	1	10-100-003	Nylon Locknut 5/16"-18 SS
15	1	17-025-000	Nozzle Holder Assy.20K 9/16" MP (Drop In)

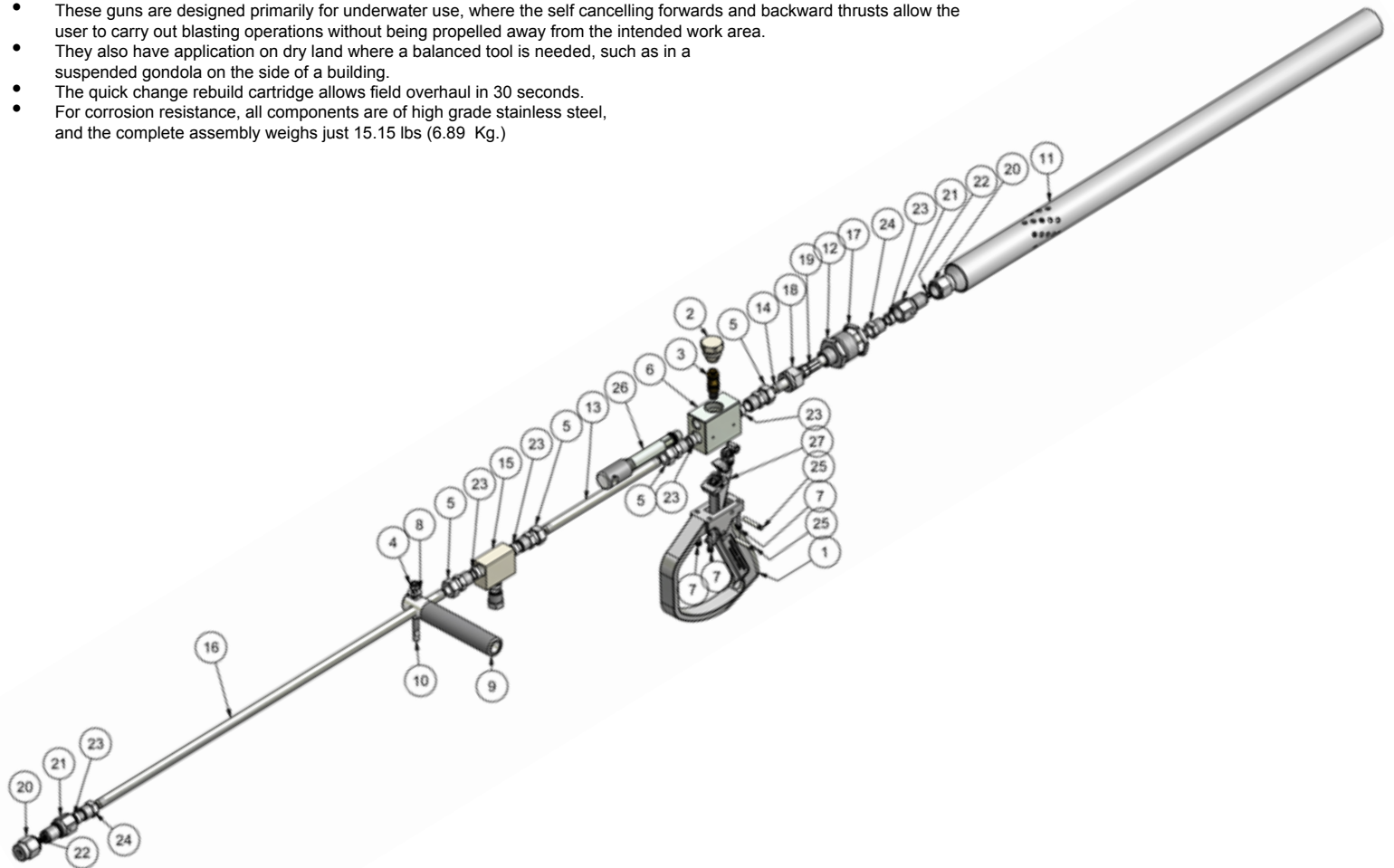
ITEM	QTY	PART #	DESCRIPTION
16	1	21-012-103	Coupler 9/16"MP 20K without Gland Nut & Collar
17	1	21-003-003	9/16" Gland Nut MP
18	1	60-010-017	Cam Stud for Shouldder Stock
19	1	21-022-010	NIPPLE, 9/16" MP/LH X 10" SS (20K MAWP)
20	1	21-022-036	NIPPLE, 9/16" MP/LH X 36" SS (20K MAWP)
21	1	60-050-002	Double Dump Handle
22	1	60-050-003	Double Dump Trigger
23	1	60-050-005	Double Dump Trigger Guard
24	1	10-016-075	3/8"-16 Bolt, 3/4" long
25	2	30-001-010	O-Ring 2-010
26	3	60-010-021	Trigger Pivot Pin
27	1	10-010-002	Washer. Flat 5/16"
28	2	60-010-057	Dump Tube Assembly
29	1	60-010-061	Trigger & Cam Assy. w/Safety Latch

20K Hand-Held Zero-Thrust Control Guns



Part #	Description	Barrel
60-020-013	Complete zero thrust Style control gun	9/16"

- These guns are designed primarily for underwater use, where the self cancelling forwards and backward thrusts allow the user to carry out blasting operations without being propelled away from the intended work area.
- They also have application on dry land where a balanced tool is needed, such as in a suspended gondola on the side of a building.
- The quick change rebuild cartridge allows field overhaul in 30 seconds.
- For corrosion resistance, all components are of high grade stainless steel, and the complete assembly weighs just 15.15 lbs (6.89 Kg.)



ITEM	QTY	PART #	
1	1	60-010-001	Gun Handle
2	1	60-020-005	Cartridge Nut 20K
3	1	60-020-010	Cartridge Assy. 20K
4	1	10-100-002	Nylon Lock Nut
5	4	21-005-003	Anti-Vibe Assy 9/16"
6	1	60-020-001	Gun Block 20K
7	4	10-001-100	SHCS 1/4"-20
8	1	10-010-001	Plain 375 SS washer
9	1	60-020-008	Front Handle 9/16" Barrel
10	1	60-020-009	Cam Stud Front Handle 20K Gun
11	1	60-010-032	Diffuser-Zero Thrust Gun
12	1	60-020-015	Diffuser Adapter-20K Zero Thrust Gun
13	1	21-022-010	MP Nipple 10" Long
14	1	21-022-008	MP Nipple 8" Long

ITEM	QTY	PART #	
15	1	21-010-003	MP Tee 9/16" (Includes gland nut & collar)
16	1	21-022-036	MP Nipple 36" Long
17	1	60-010-033	Jam Nut Thrust Diffuser
18	1	20-002-004	Collet Nut
19	1	20-022-010	Collet 9/16"
20	2	17-025-001	Nut 20K Nozzle Holder
21	2	17-025-002	Nozzle Holder 20K
22	2	30-001-010	O-Ring 2-010
23	7	21-002-003	9/16" MP Collar
24	2	21-003-003	9/16" MP Gland Nut
25	2	60-010-021	Trigger Pivot Pin
26	1	60-010-057	New Dump Assembly
27	1	60-010-061	Trigger & Cam Assy. w/Safety Latch