

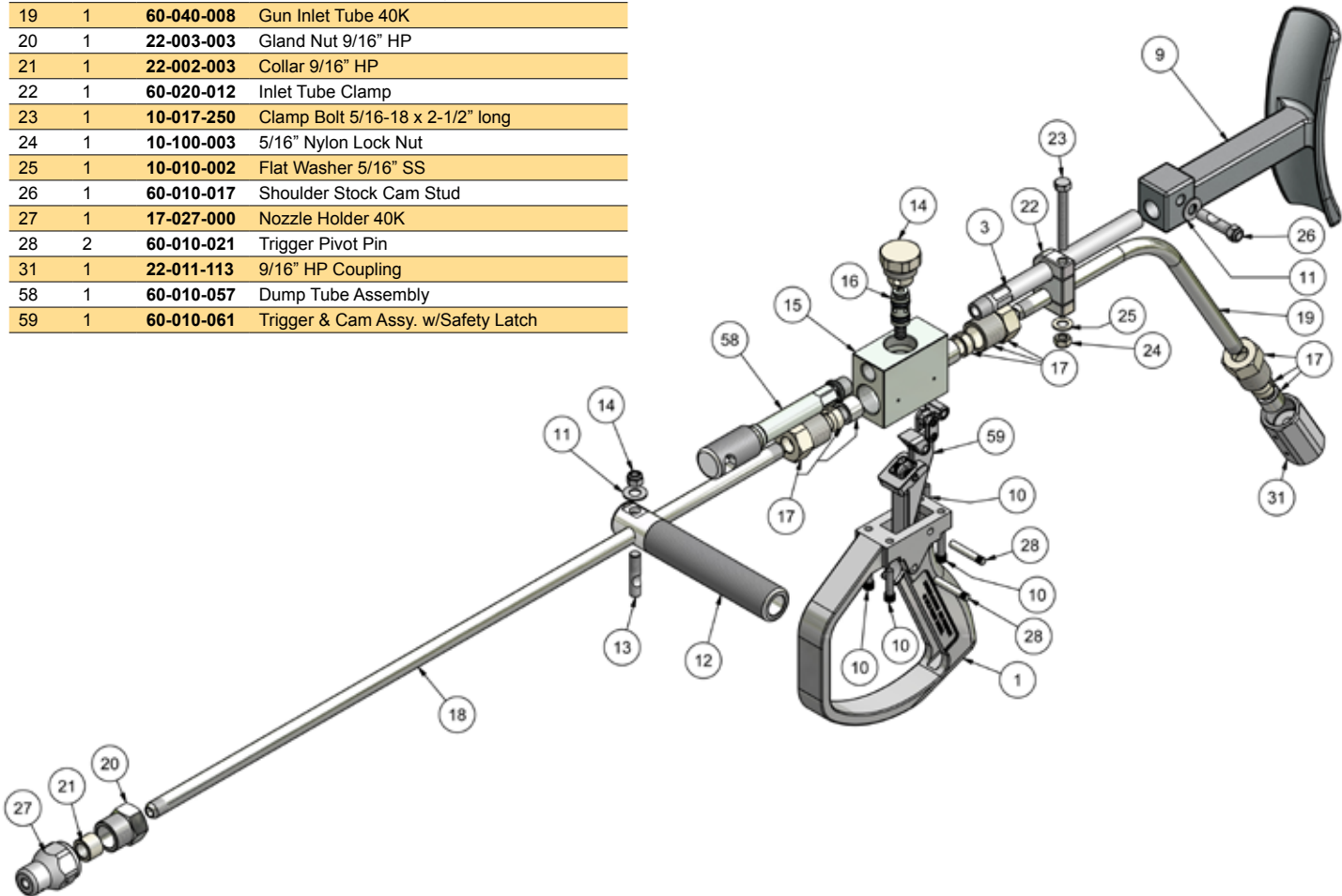
40K Hand-Held Dump Style Control Guns



Part #	Description	Barrel
60-040-007	Complete hand-held dump Style control gun	9/16"

ITEM	QTY	PART #	DESCRIPTION
1	1	60-010-001	Gun Handle
3	1	60-010-009	Shoulder Stock Tube
9	1	60-010-003	Shoulder Stock
10	4	10-001-100	SHCS 1/4"-20 x 1" long SS
11	2	10-010-001	3/8" SS Plain Washer
12	1	60-020-008	Front Handle 9/16" HP Barrel
13	1	60-020-009	Cam Stud (incl. Nylon Lock Nut) - 9/16" Barrel
14	1	60-040-006	Cartridge Nut
15	1	60-040-001	Hand Gun Block 40K
16	1	60-040-005	Cartridge Assembly 40K
17	3	22-008-003	9/16" HP Anti-Vibe Collet Assembly
18	1	22-016-048	9/16" HP Nipple 48" long
19	1	60-040-008	Gun Inlet Tube 40K
20	1	22-003-003	Gland Nut 9/16" HP
21	1	22-002-003	Collar 9/16" HP
22	1	60-020-012	Inlet Tube Clamp
23	1	10-017-250	Clamp Bolt 5/16-18 x 2-1/2" long
24	1	10-100-003	5/16" Nylon Lock Nut
25	1	10-010-002	Flat Washer 5/16" SS
26	1	60-010-017	Shoulder Stock Cam Stud
27	1	17-027-000	Nozzle Holder 40K
28	2	60-010-021	Trigger Pivot Pin
31	1	22-011-113	9/16" HP Coupling
58	1	60-010-057	Dump Tube Assembly
59	1	60-010-061	Trigger & Cam Assy. w/Safety Latch

- These guns are the new standard and are built tough for the demands of today's contracting environment.
- These control guns incorporate many **superior features** that are in demand today.
- They are **light weight** and are easy to overhaul in the field using a cartridge which is interchangeable with Jetstream guns of the same pressure rating.
- The shoulder stock and handgrip are both adjustable and the trigger has a safety lock to prevent accidental discharge.
- Front barrels are 48" long with standard 9/16" MP size.



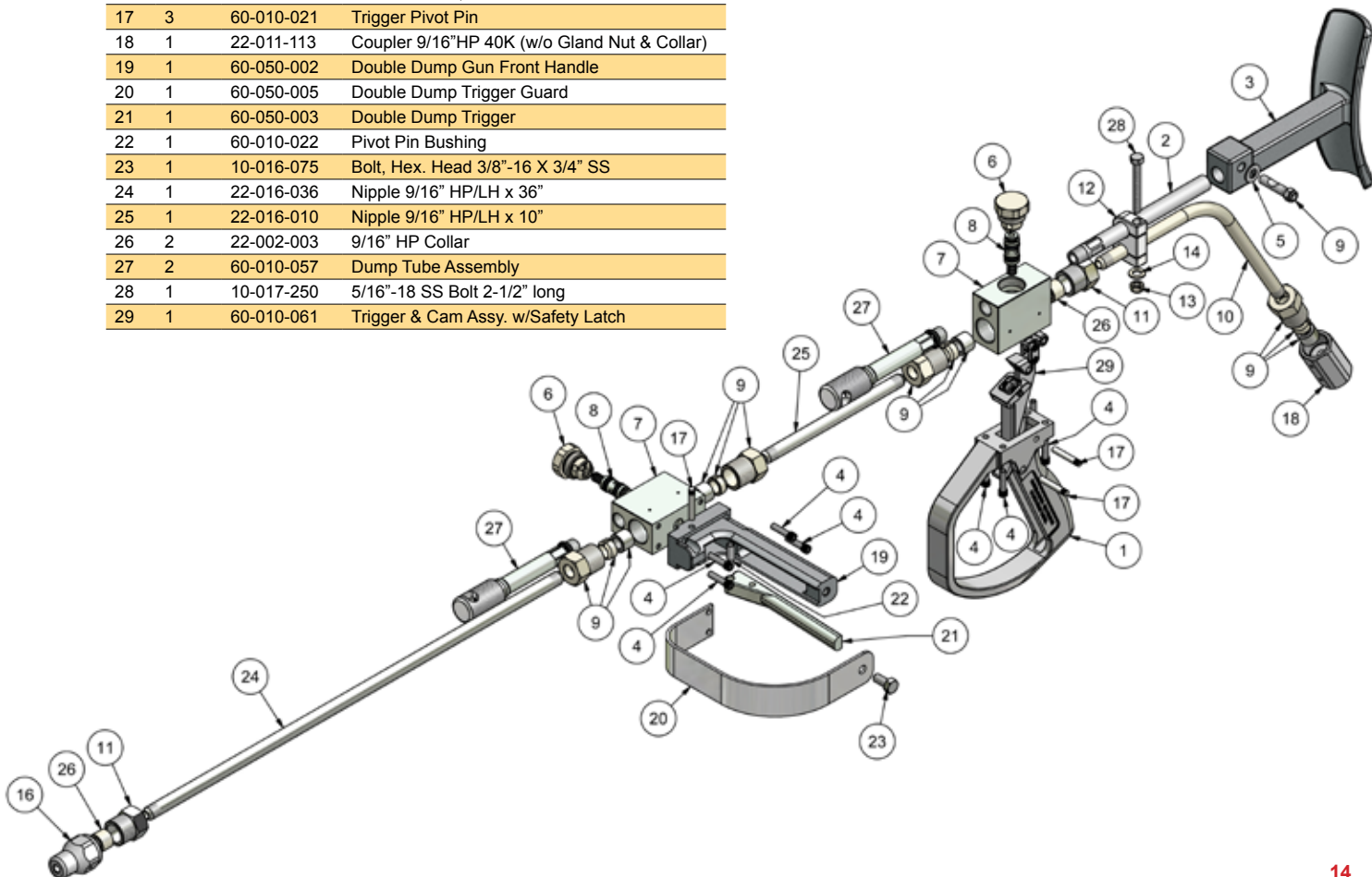
40K Double Dump Gun There is an increasing demand for the **extra safety** of control guns which incorporate dual dump ports. The Advanced Pressure Systems **40K Double Dump Control Guns** feature this added security together with the ergonomic advantages and operator comfort of a specially designed front handle.

EXTRA SAFETY!



Part #	Description	Barrel
60-040-015	Complete double dump Style control gun	9/16"

ITE	QTY	PART #	DESCRIPTION
1	1	60-010-001	Gun Handle
2	1	60-010-009	Shoulder Stock Tube
3	1	60-010-003	Shoulder Stock
4	8	10-001-100	SHCS 1/4"-20 x 1" long
5	1	10-010-001	3/8" SS washer
6	2	60-040-006	Cartridge Nut 40K
7	2	60-040-001	40K Gun Block
8	2	60-040-005	40K Cartridge Assembly
9	4	22-008-003	9/16" Anti-Vibe Gland Nut and Collar Assy.
10	1	60-040-008	Inlet Tube 40K
11	2	22-003-003	Gland Nut
12	1	60-020-012	Inlet Tube Clamp
13	1	10-100-003	Nylon Locknut 5/16"-18 SS
14	1	10-010-002	Flat Washer 5/16" SS
15	1	60-010-017	Shoulder Stock Cam Stud
16	1	17-027-000	Nozzle Holder, 9/16" HP x 3/8"-24 UNF
17	3	60-010-021	Trigger Pivot Pin
18	1	22-011-113	Coupler 9/16"HP 40K (w/o Gland Nut & Collar)
19	1	60-050-002	Double Dump Gun Front Handle
20	1	60-050-005	Double Dump Trigger Guard
21	1	60-050-003	Double Dump Trigger
22	1	60-010-022	Pivot Pin Bushing
23	1	10-016-075	Bolt, Hex. Head 3/8"-16 X 3/4" SS
24	1	22-016-036	Nipple 9/16" HP/LH x 36"
25	1	22-016-010	Nipple 9/16" HP/LH x 10"
26	2	22-002-003	9/16" HP Collar
27	2	60-010-057	Dump Tube Assembly
28	1	10-017-250	5/16"-18 SS Bolt 2-1/2" long
29	1	60-010-061	Trigger & Cam Assy. w/Safety Latch



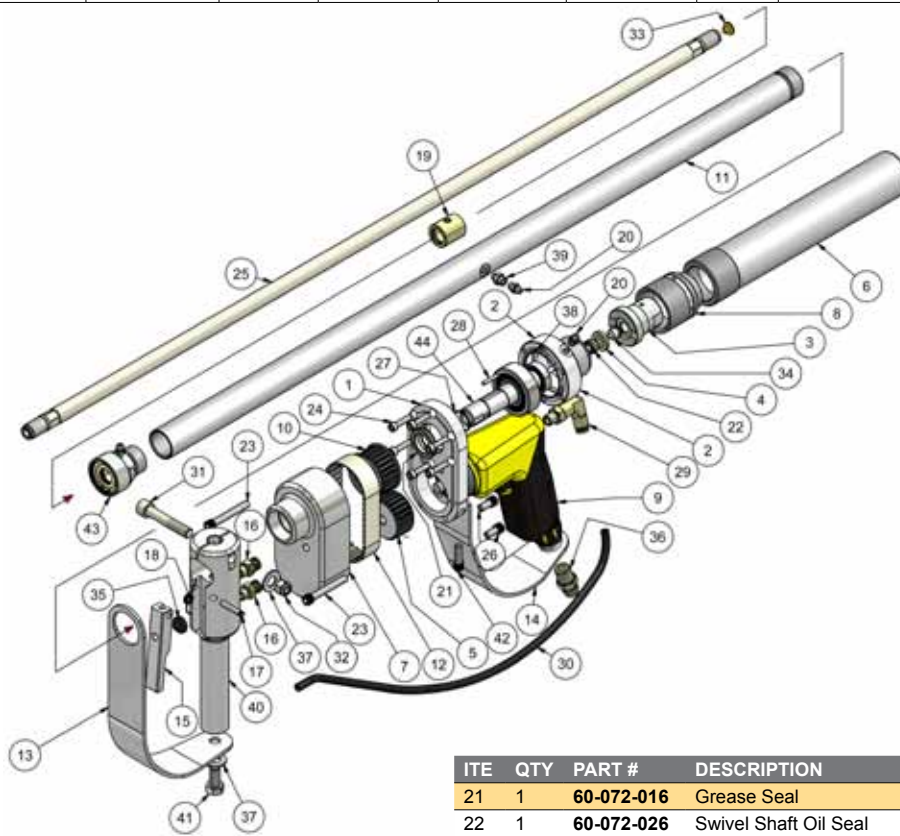
CONTROL GUNS

The **APS COBRA** is an **air-operated control gun** with a rotating barrel. The simple **robust design**, combined with the high quality of manufacture, makes this the perfect tool for **Ultra High Pressure Jetting** applications. When used together with our **Tri-Mode Control Valve**, the combination is the most cost effective and easy to use and maintain system on the market. It is ideal for the removal of paint and corrosion leaving a white metal finish, which is ready for coating.



Nozzle Sold Separately

Part #	Barrel* Length	Overall Length	Rotation Speed	Weight	Air Demand		Operating Pressure	Max. Flow	Required Inlet Connection	Nozzle Connection
	In.	In.	RPM	Lbs.	Pressure PSI	Volume CFM	PSI	GPM		
60-072-001	36"	46"	1700-3000	10.75	90	22	40,000	7	3/8" HP Female	9/16" HP Button
60-072-062	48"	58"	1700-3000	12.3	90	22	40,000	7	3/8" HP Female	9/16" HP Button



ITE	QTY	PART #	DESCRIPTION
1	1	60-072-002	40K COBRA - Back plate
2	1	60-072-004	40K COBRA - Swivel Bearing Housing
3	1	60-072-005	40K COBRA - Swivel inlet adapter
4	1	60-072-006	40K COBRA - Swivel seal back-up ring
5	1	60-072-007	40K COBRA - Pulley ,drill motor, Alim. 26 pitch drive
6	1	60-072-008	40K COBRA - Hose protector
7	1	60-072-009	40K COBRA - Belt drive cover
8	1	60-072-010	40K COBRA - Bearing Retaining Cap
9	1	60-072-013	40K COBRA - Air Motor
10	1	60-072-020	Timing/Drive Sprocket
11	1	60-072-019	Barrel Shroud
12	1	60-072-022	Timing/Drive Belt
13	1	60-072-027	Air Motor Trigger Guard
14	1	60-072-028	Front Handle Trigger Guard
15	1	60-072-025	Trigger - Front Handle
16	2	60-072-031	Connector - 1/8"NPT x 1/4" Prestolok
17	1	60-072-032	Trigger Pivot Pin - Front Handle
18	1	60-072-033	Trigger Spring - Front Handle
19	1	60-072-024	Barrel Shroud Center Bushing
20	2	60-072-023	Grease Zerk

ITE	QTY	PART #	DESCRIPTION
21	1	60-072-016	Grease Seal
22	1	60-072-026	Swivel Shaft Oil Seal
23	2	10-001-175	SHCS 1/4"-20 x 1-3/4" long SS
24	6	10-008-075	SHCS 1-32 x 3/4" long
25	1	60-072-035	40K COBRA - Barrel 9/16-18 UHM B/E x 34 -3/16" long
26	2	10-001-050	SHCS 1/4"-20 x 1/2" long
27	1	60-072-037	Spiral Retaining Clip
28	1	60-072-038	Keyway Pin
29	1	60-072-039	Swivel Elbow - 1/4" tubing x 1/8"NPT Prestolok
30	1	60-072-040	1/4" Air tubing
31	1	60-072-012	40K COBRA - Cam Stud - Barrel Shroud
32	1	10-100-002	3/8"-16 Nylon Lock Nut
33	1	60-072-041	Brass Button Seal J/S
34	1	60-072-049	Seal Assembly
35	1	60-072-034	Rubber Insert for Front Trigger
36	1	60-072-042	Fitting/ 3/8" JIC x 1/4" NPT
37	2	10-010-001	Flat Washer 3/8" SS
38	1	30-002-031	O-Ring, 2-031 Buna N 70 Durometer
39	1	60-072-063	Grease Zerk Extension
40	1	60-072-015	40K COBRA - Front handle
41	1	10-016-075	Hex. Bolt, 3/8"-16 X 3/4" long SS
42	1	10-003-075	SHCS 1/4"-28 x 3/4" long
43	1	60-072-070	Front Bearing & Housing Assy.
44	1	60-072-141	Shaft & Bearing Assy.

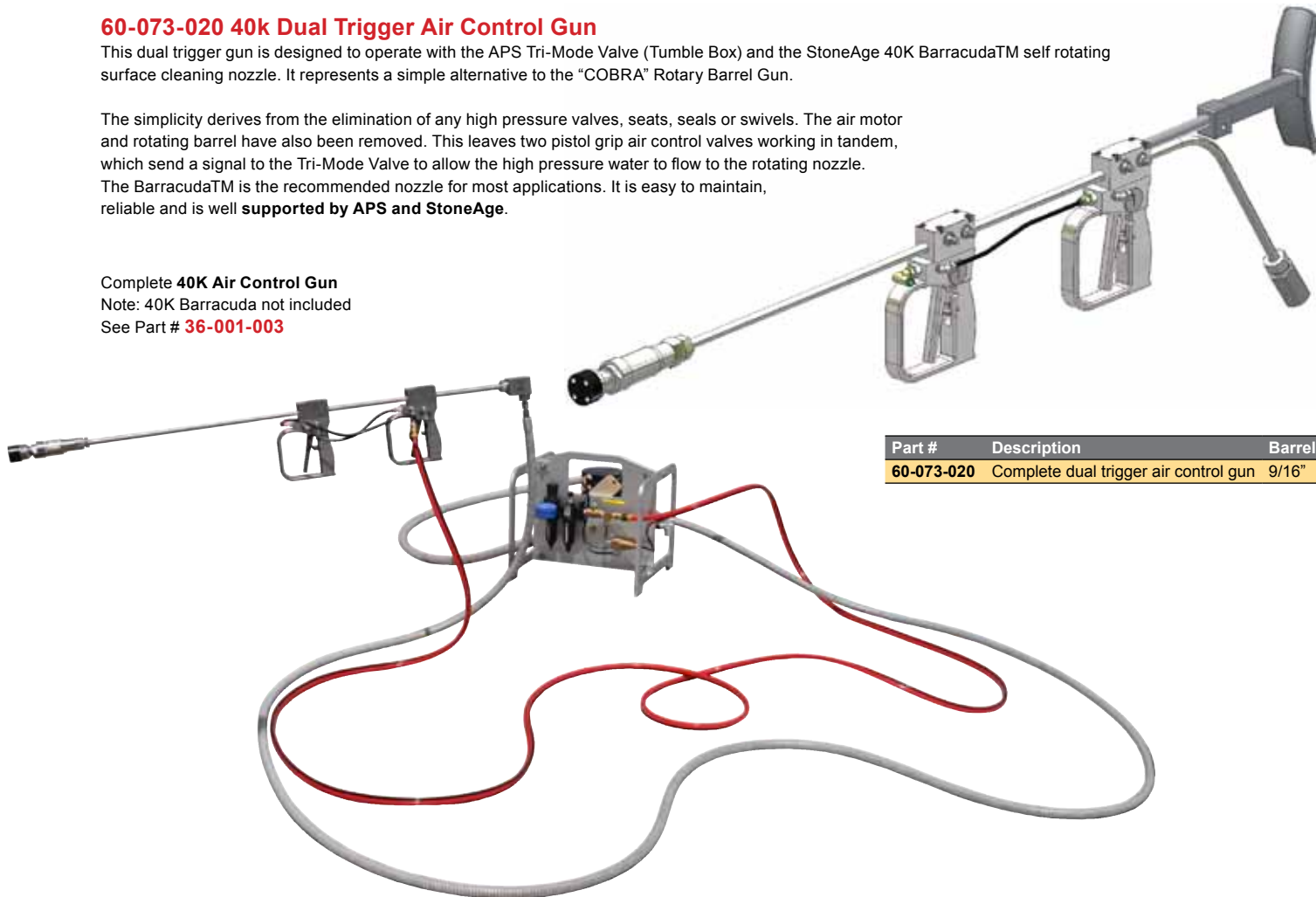
60-073-020 40k Dual Trigger Air Control Gun

This dual trigger gun is designed to operate with the APS Tri-Mode Valve (Tumble Box) and the StoneAge 40K Barracuda™ self rotating surface cleaning nozzle. It represents a simple alternative to the “COBRA” Rotary Barrel Gun.

The simplicity derives from the elimination of any high pressure valves, seats, seals or swivels. The air motor and rotating barrel have also been removed. This leaves two pistol grip air control valves working in tandem, which send a signal to the Tri-Mode Valve to allow the high pressure water to flow to the rotating nozzle.

The Barracuda™ is the recommended nozzle for most applications. It is easy to maintain, reliable and is well supported by APS and StoneAge.

Complete **40K Air Control Gun**
 Note: 40K Barracuda not included
 See Part # **36-001-003**



Part #	Description	Barrel
60-073-020	Complete dual trigger air control gun	9/16"

The new 40K “TRI-MODE VALVE” (commonly called a Tumble Box) has been developed after extensive research aimed at identifying the features that contractors and end users needed most. The air side incorporates a robust easy to operate shut off valve, a large easy to read horizontally mounted gauge, which is protected by a heavy rubber buffer. The shuttle valve is a **simple cartridge type design**, which is easy to service and replace.

Air Side



Part #	Description
60-070-012	Complete Tumble Box

Cartridge Overhaul
 In less than a minute!



#60-070-111



Water Side