

40K Foot Operated Dump Style Control Guns

**Typical Foot Gun Hookup** These foot operated control valves (foot guns) are designed for smooth reliable operation. They are easily rebuilt in the field in 30 seconds by unscrewing the dump tube, which removes the used valve assembly. The operator then snaps a new cartridge style valve into the dump tube adapter and returns the whole assembly to the gun.

To prevent low pressure water from the flex lance nozzle spraying back towards the operator, when the foot gun is in dump mode, it is recommended that a **Nozzle Shut-off Valve (Part # 60-020-0??)** is used between the foot gun and the flex lance. This will help to minimize cleanup at the end of the job and greatly assist the operator when inserting the lance into the next tube. (see diagram above)

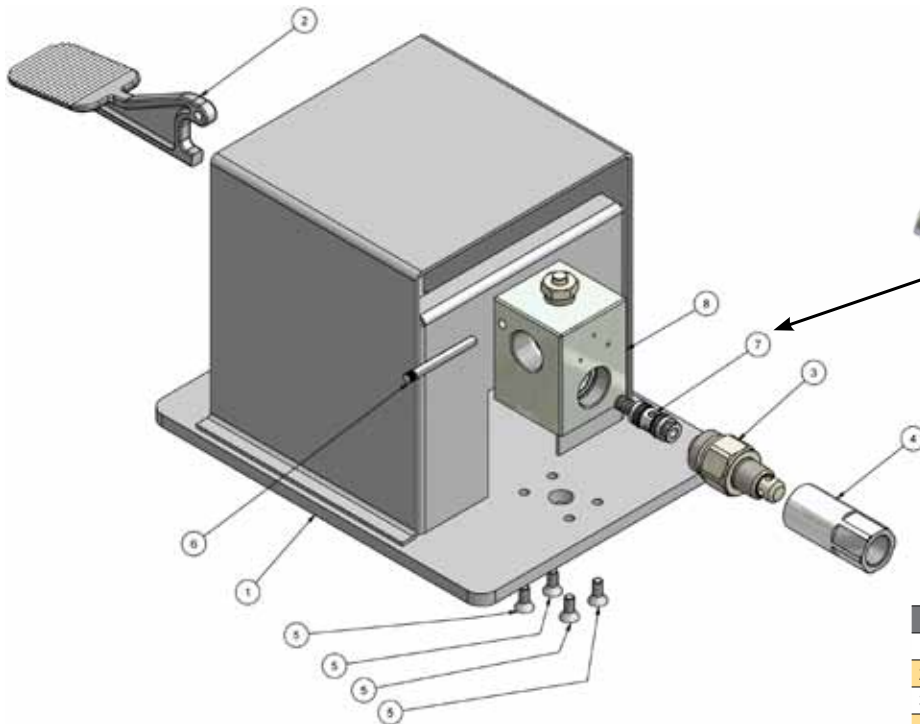
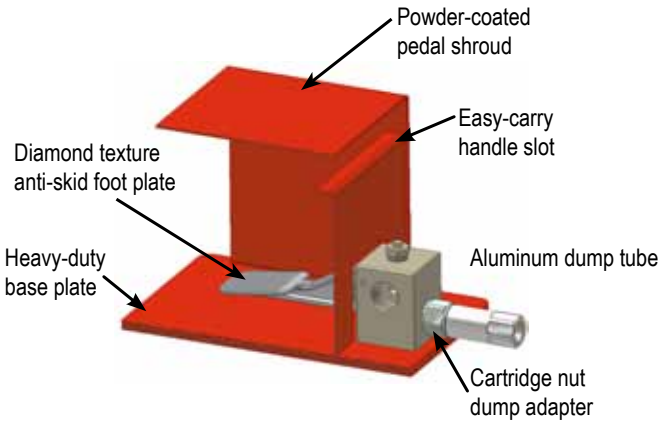
Strain Relief Whip Hoses (Part # 43-004-003) are designed to relieve the forces on the flex lance end fitting, which extends the life of the lance, and reduces the risk to the operator associated with the end fitting failing prematurely.



Part #	Description
61-040-003	Complete foot Style control gun

**Features:**

- Fully enclosed safety shrouds.
- Easy-carry handles.
- Quick-change cartridge overhaul.
- Non-slip diamond texture foot pedals.
- Powder-coated pedal shroud
- Cartridge nut / dump adapter
- 9/16" MP connection
- Aluminum dump tube
- Heavy-duty base plate



**Easy-Change Cartridge Assembly**

The cartridge assembly enables rebuilding of the gun in the field in 30 seconds or less with common tools.

#60-040-005

Item	Part #	Description
1	61-010-004	Foot Gun Base Complete Assembly
2	61-010-007	Foot Pedal
3	61-040-002	Dump Adapter 40K Foot Gun
4	61-010-002	Dump Tube
5	10-201-063	C'sink Screw 1/2"-20 x 5/8" long
6	61-020-005	Foot Pedal Pivot Pin
7	60-040-005	40K Gun Cartridge Assembly
8	61-040-001	Foot Gun Block 40K Assy.